

USB to Isolated RS-485 Converter

tM-7561

User Manual

Warranty

All products manufactured by ICP DAS are warranted against defective materials for a period of one year from the date of delivery to the original purchaser.

Warning

ICP DAS assumes no liability for damages consequent to the use of this product. ICP DAS reserves the right to change this manual at any time without notice. The information furnished by ICP DAS is believed to be accurate and reliable. However, no responsibility is assumed by ICP DAS for its use, or for any infringements of patents or other rights of third parties resulting from its use.

Copyright

Copyright 2011 by ICP DAS Co., LTD. All rights reserved worldwide.

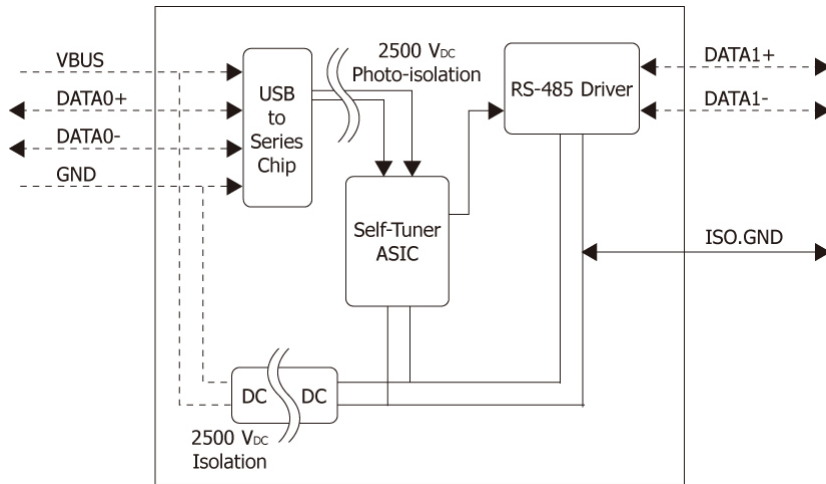
Trademark

The names used for identification only may be registered trademarks of their respective companies.

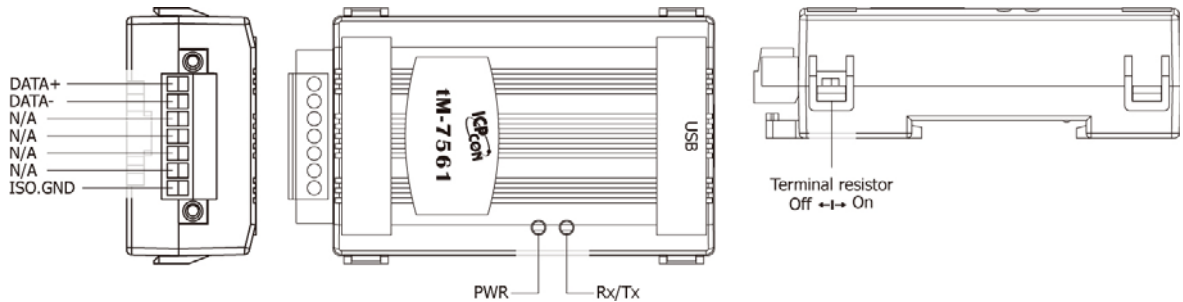
Introduction

The tM-7561 is a cost-effective USB to RS-485 converter. Connecting the tM-7561 to a PC, you get one RS-485 port that allows you to access RS-485 devices through the USB interface. Like the I-7520, the tM-7561 contains "Self-Tuner" chip auto-tunes the baud rate and data format to the RS-485 network. The tM-7561 module derives its power from the USB port and doesn't need external power adapter.

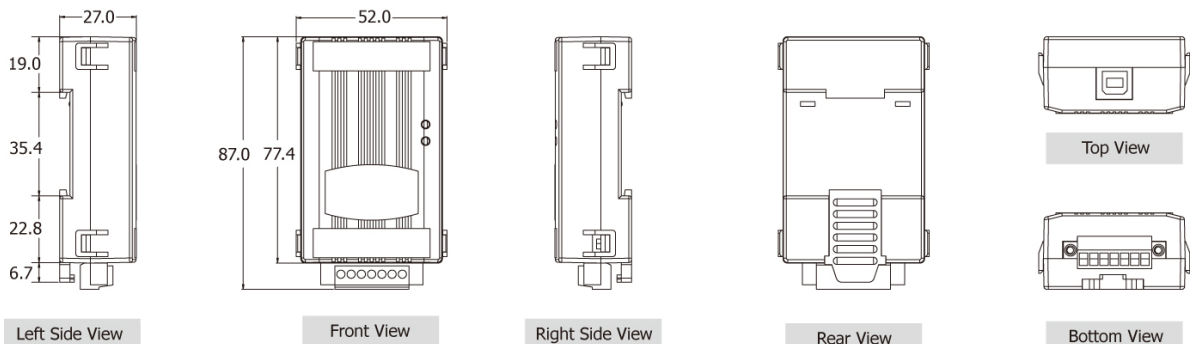
Internal I/O Structure:



Pin Assignments:



Dimensions (Unit: mm):



Hardware Specifications

Specifications

Model	tM-7561
Interface	
USB	Compatibility: USB 1.1 and 2.0 standards
RS-485	Data+, Data-
Transfer Distance	Max. 1,200 m at 9.6 kbps; Max. 400 m at 115.2 kbps
Maximum Supported RS-485 Devices	256 (Without repeater)
Self-Tuner Asic Inside	Yes
Speed	300 ~ 115200 bps
Connection	Removable 7-Pin Terminal Block for RS-485 (Use Copper Conductors Only, wire range 16-26 AWG, torque value 3.0 lb-in)
	Type B for USB
Cable Included	CA-USB18 (1.8 m Cable) x 1
LED Indicators	
Power/Communication	Power, TxD and RxD
Power	
Input Voltage Range	+5 VDC from USB
Power Consumption	0.4 W
Mechanical	
Casing	Plastic
Flammability	Fire Retardant Materials (UL94-V0 Level)
Dimensions (W x H x D)	52 mm x 87 mm x 27 mm
Installation	DIN-Rail
Environment	
Operating Temperature	-25 °C ~ +75 °C
Storage Temperature	-30 °C ~ +75 °C
Humidity	10 ~ 90% RH, non-condensing
Driver	
Windows 98/ME/2000/XP/Vista (32/64-bit)/7 (32/64-bit)/Linux	

USB driver installation

Microsoft Windows XP

Download driver files from

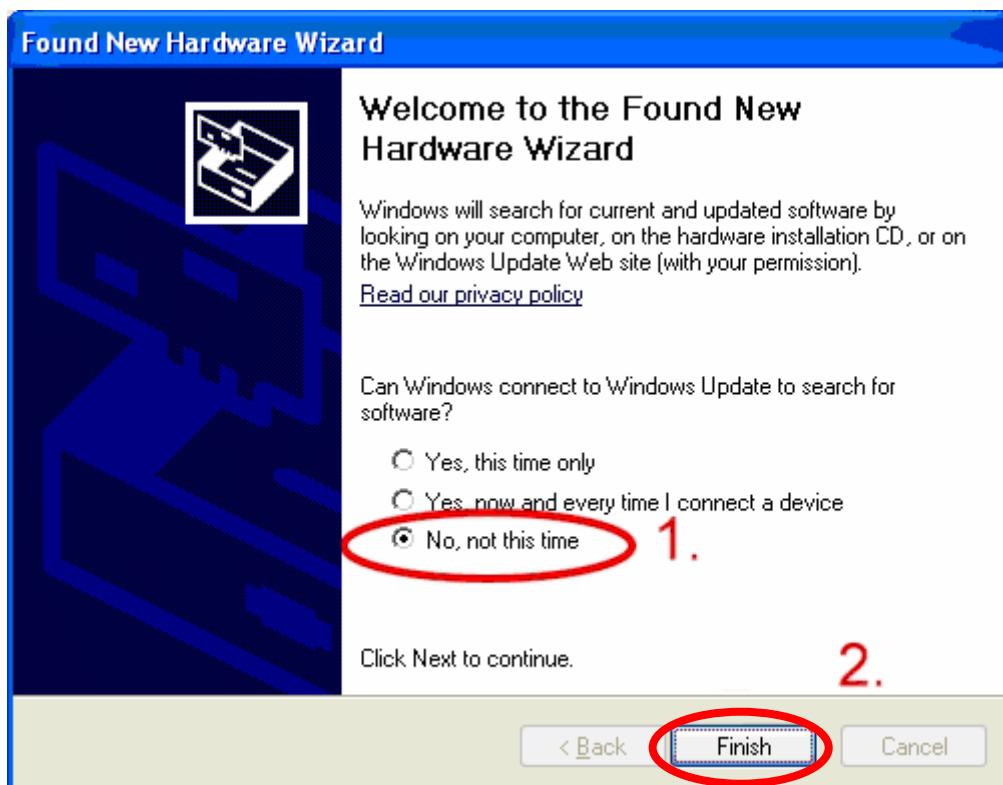
1. Package CD, \NAPDOS\tM-7561_series\ Vx.xx.xx
2. <ftp://ftp.icpdas.com/pub/cd/usbconverter/napdos/>

Manually install usb driver

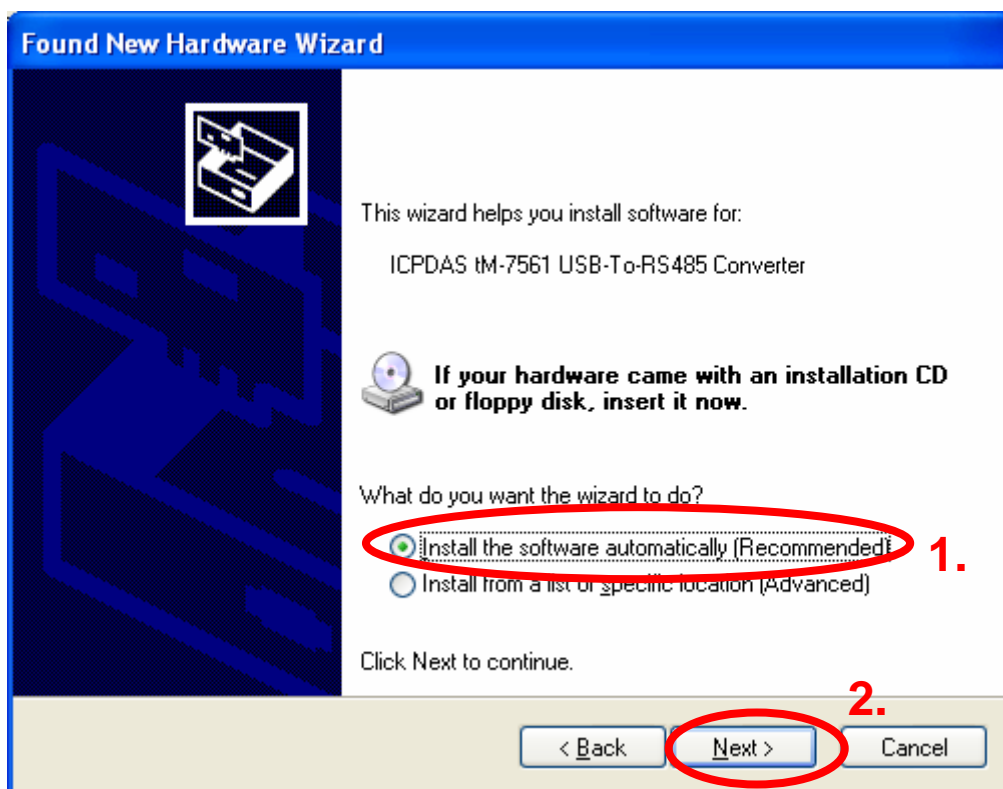
Step1. Please execute “**USB-2514_tM-7561_Driver.exe**” (the driver file name for v2.08.24 or newer) file first to install necessary driver files of tM-7561 to system.

Step2. Locate the USB port of your computer and plug in the tM-7561.

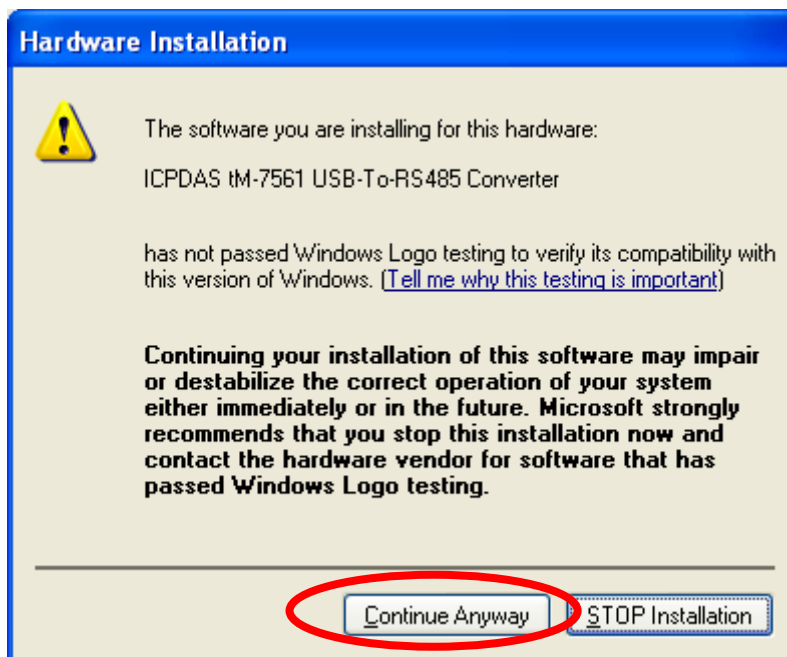
Step3. Select “No, not this time” → Select “Next”



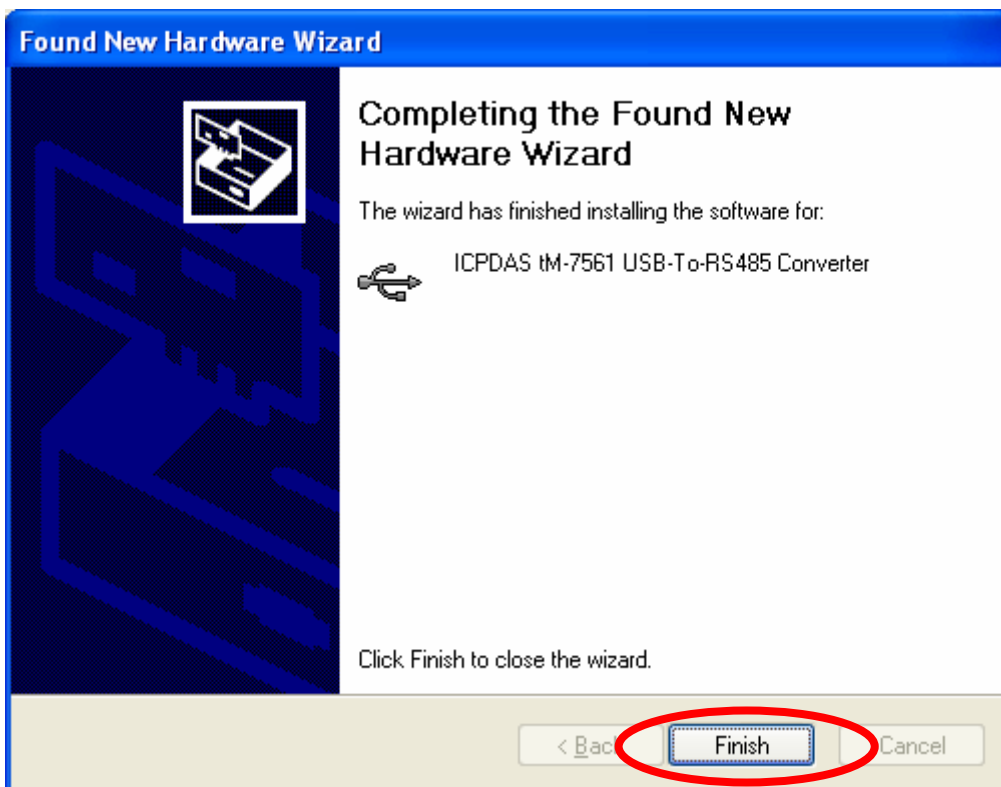
Step4. Select “Install the software automatically (Recommended)” → Select “Next”



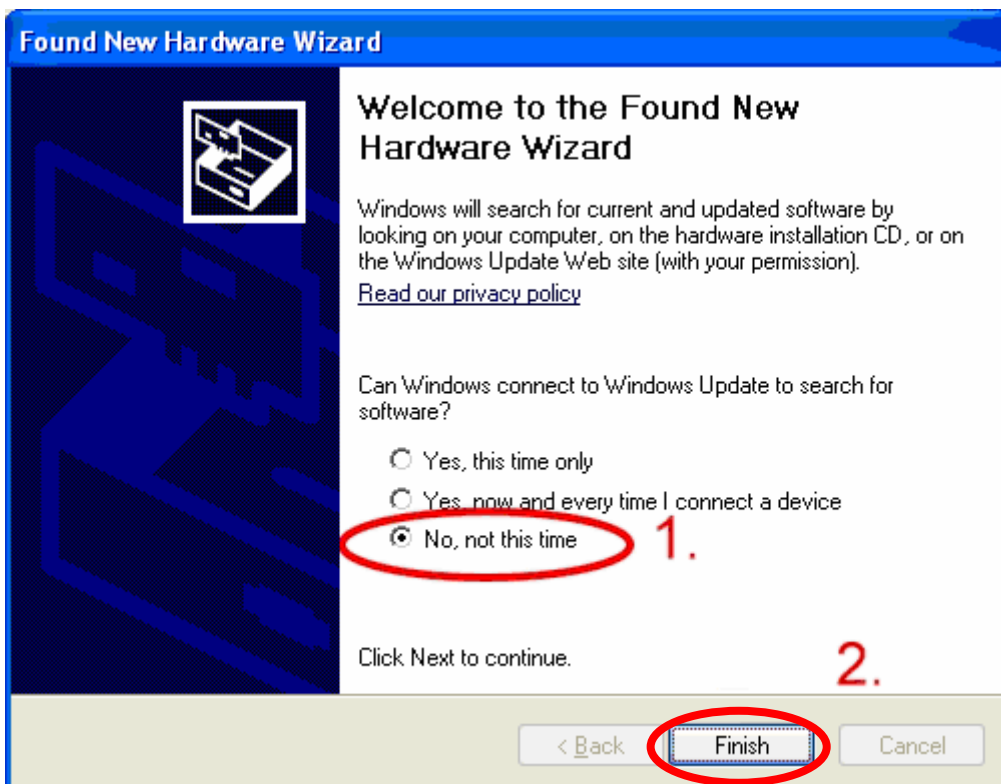
Step5. If it is pop-up a new windows that “Hardware Installation”, please select “Continue Anyway”



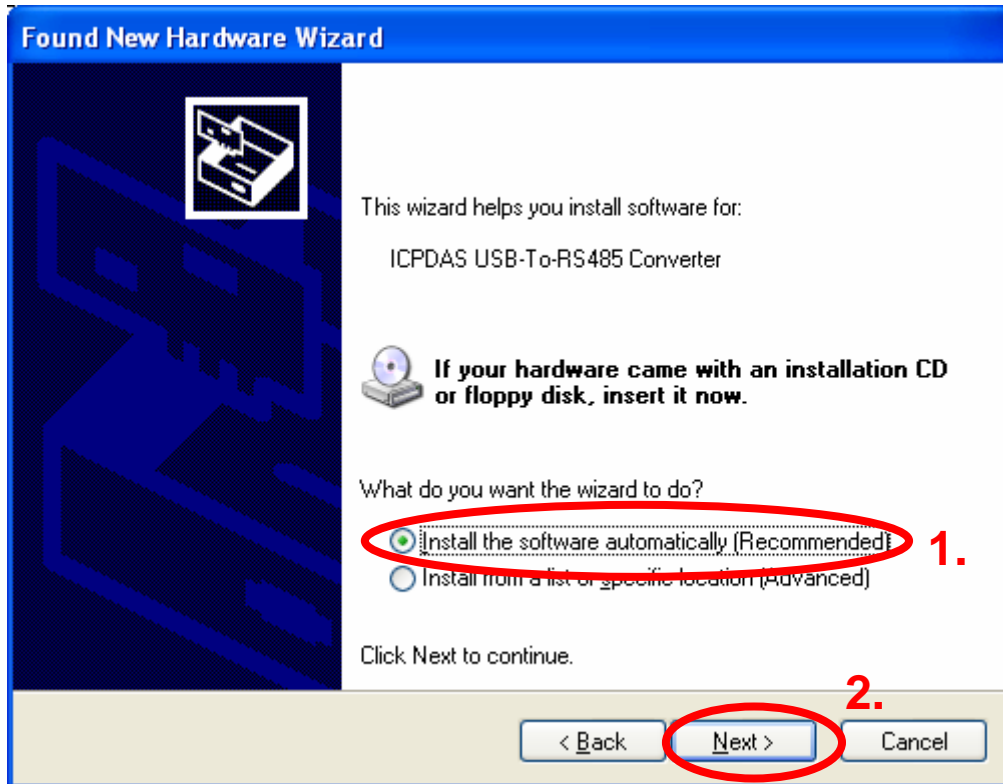
Step6. Select “Finish” to finish.



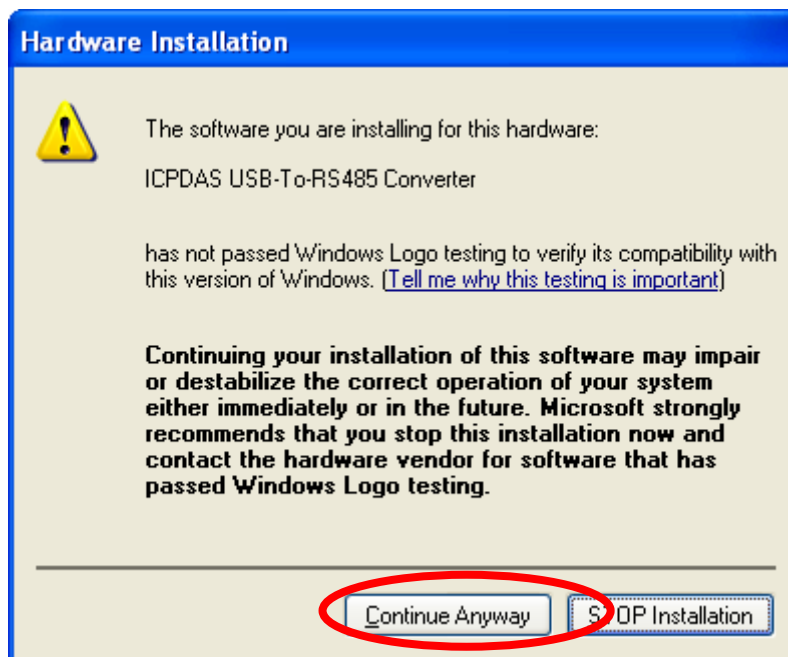
Step7. Select “No, not this time” → Select “Next”



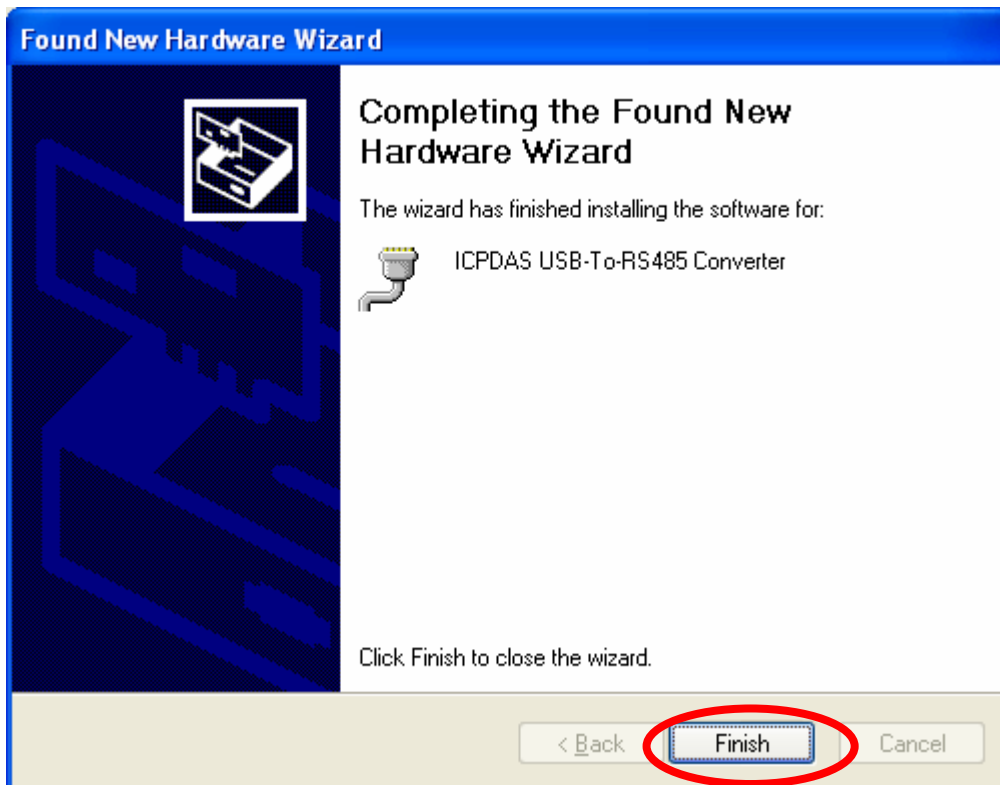
Step8. Select “Install the software automatically (Recommended)” → Select “Next”



Step9. If it is pop-up a new windows that “Hardware Installation”, please select “Continue Anyway”



Step10. Select "Finish" to finish.



Step11. Please open "Device Manager" → check com

