



BRK-2841M

BRK Series IIoT MQTT Communication Server
 Quad-core ARM CPU and 2 Ethernet Ports

Features

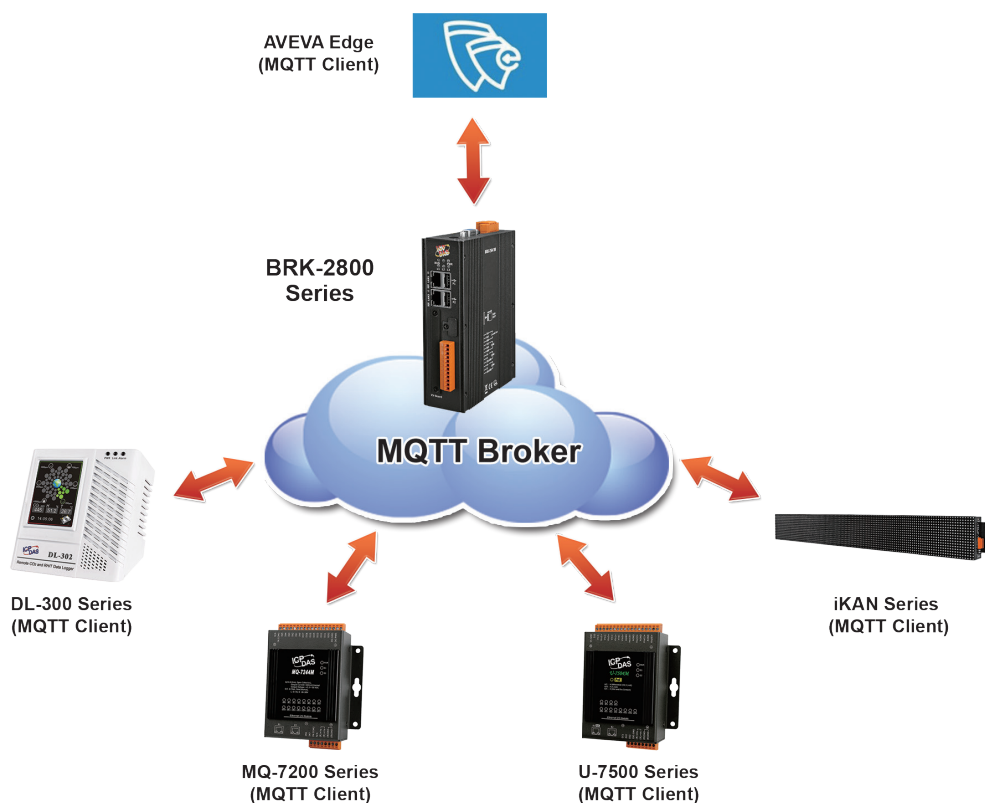
- MQTT Broker Inside:
 - Bridge Function
 - Cluster Function
 - QoS Message Quality Mechanism
 - Retains Mechanism
 - Identity/Password Authentication
 - Communication Encryption
 - Last Message (Last Will)
- Support Load Balancing Function
- Support High Availability Architecture



Introduction

BRK Series is an Communication Server that specially provides Broker function of MQTT protocol for MQTT message distribution and concentrator in M2M and Industrial Internet of Things environments. The BRK Series is compatible with the MQTT version V.3.1, V.3.1.1 and V.5.0 protocol. It supports many functions such as QoS message quality mechanism, retains mechanism, identity authentication, communication encryption, last message (Last Will), and bridge. And support Web UI setting method to quickly set up BRK functions. It can reduce the burden of setting up the server by user oneself and reduce the maintenance cost. Besides, BRK Series provides Bridge, Cluster, Load Balancer, and High Availability functions. Composing multiple BRK Series to form a better Redundancy system can prevent field systems from stopping services due to hardware or network failures.

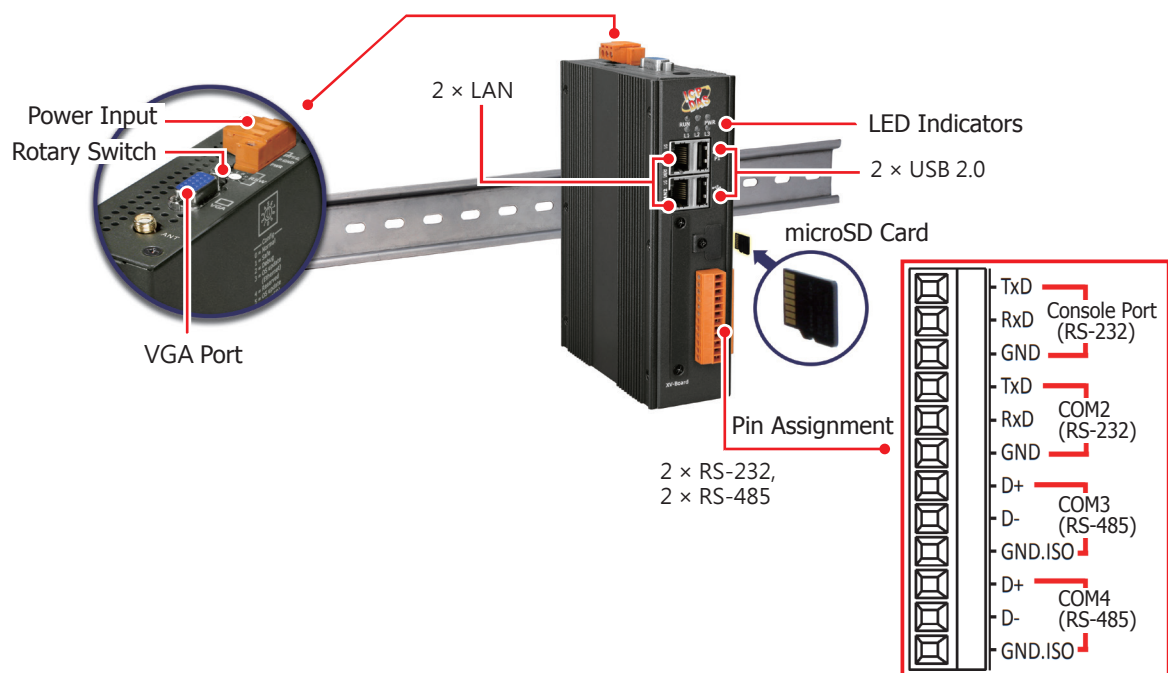
System Architecture



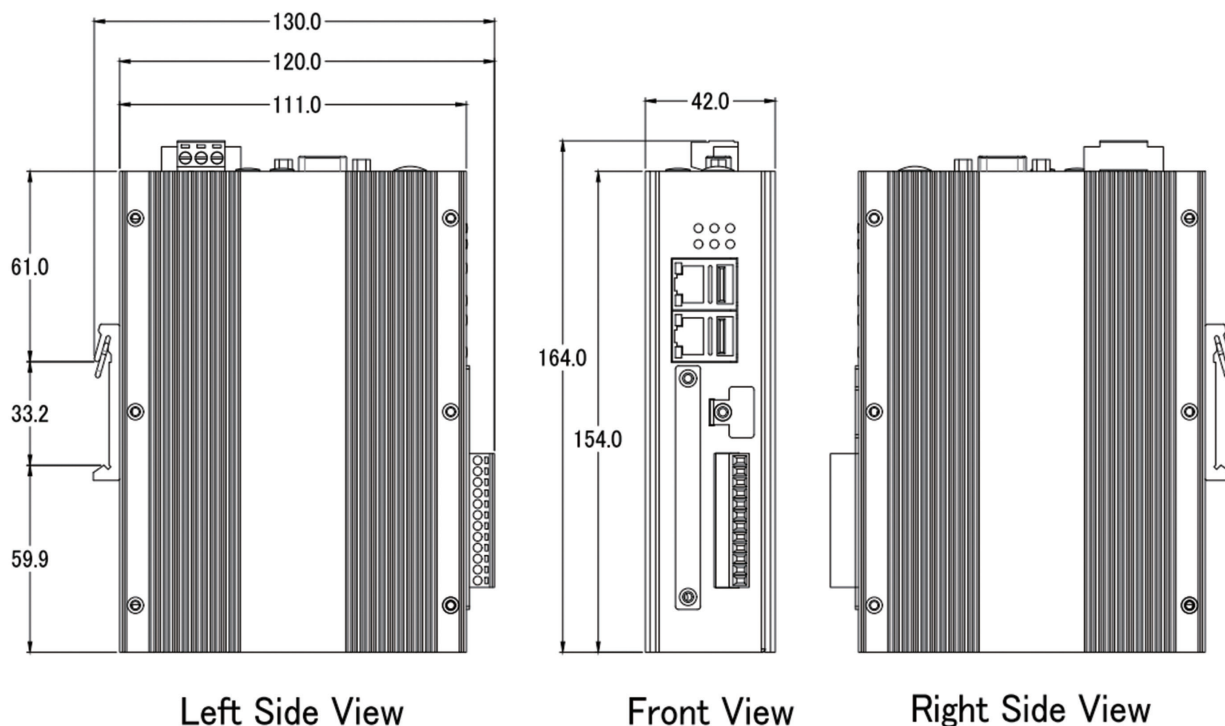
Specifications

Model	BRK-2841M	
Main Unit		
CPU	Quad-core ARM CPU, 1.6 GHz/Core	
System Memory	DDR3 SDRAM 1 GB	
Storage	Flash 8 GB	
Non-Volatile Memory	FRAM 64 KB, MRAM 128 KB	
Ethernet		
Ports	RJ-45 x 2, 10/100/1000 Base-TX (Auto-negotiating, Auto MDI/MDI-X)	
Power		
Input Range	+12 ~ +48 VDC	
Consumption	4.8 W	
Environmental		
Operating Temperature	-25 ~ +75 ° C	
Storage Temperature	-40 ~ +80 ° C	
Humidity	10 ~ 90% RH, Non-condensing	
Software		
MQTT Client Connection Numbers	Max. 100000	
MQTT Broker	Basic Features	
	Bridge Function	Support
	Cluster Function	Support
	QoS (Quality of Service)	Support QoS0, QoS1, QoS2
	MQTT Protocol	Support V3.1 / V3.1.1 / V5.0
	Retained Message	Support
	Last Will Message	Support
	System Topic(\$SYS/#)	Support
	Delay Publish	Available Soon
	Topic Alias	Available Soon
	Supported Protocol	
	TCP/SSL	Support
	Websocket (SSL)	Available Soon
	STOMP	Available Soon
	MQTT-SN	Available Soon
	CoAP	Available Soon
	LwM2M	Available Soon
	Identity Authentication	
	Client ID	Support
	User Account & Password	Support
IP Address	Support	
Load Balancing Function	Support	
High Availability Architecture	Support	

Appearance



Dimensions (Units: mm)



Ordering Information

BRK-2841M CR	IIoT MQTT Communication Server (Metal), with Quad-core ARM CPU and 2 Ethernet Ports(RoHS)
---------------------	---