



I-8064W-G

8-channel Power Relay Output Module

Features

- 8-channel Power Relay Output
- Form A Power Relay Output
- 500 Vdc Intra-module Isolation
- Wide Operating Temperature Range: -25 ~ +75 °C



Introduction

The I-8064W module provides 8 Form A Relay Output channels, and is an ideal solution for high-power applications. The I-8064W includes 8 LED indicators that can be used to monitor the status of the Relay Output channels, 4 kV ESD protection and 500 VDC intra-module isolation are also provided to enhance the noise protection capabilities of the module in harsh industrial environments.

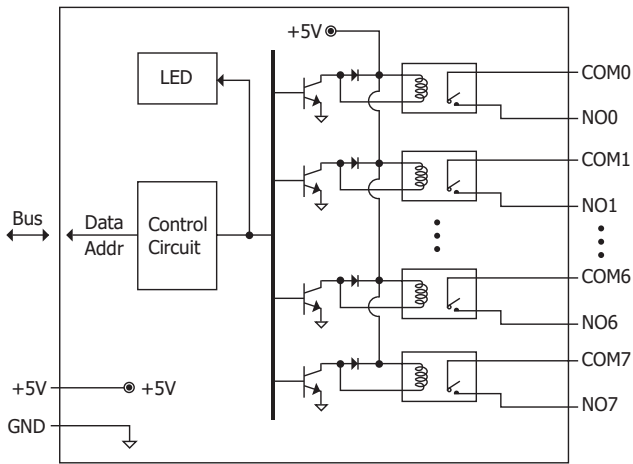
System Specifications

| LED Indicators/Display | |
|--|----------------------------------|
| System LED Indicators | 1 LED as Power Indicator |
| I/O LED Indicators | 8 LEDs as Power Relay Indicators |
| Isolation | |
| Intra-module Isolation, Field-to-Logic | 500 VDC |
| EMS Protection | |
| ESD (IEC 61000-4-2) | ±4 kV Contact for each Terminal |
| Power | |
| Power Consumption | 1.1 W max. |
| Mechanical | |
| Dimensions (W x L x H) | 30 mm x 115 mm x 102 mm |
| Environment | |
| Operating Temperature | -25 ~ +75 °C |
| Storage Temperature | 40 ~ +85 °C |
| Humidity | 10 ~ 90% RH, Non-condensing |

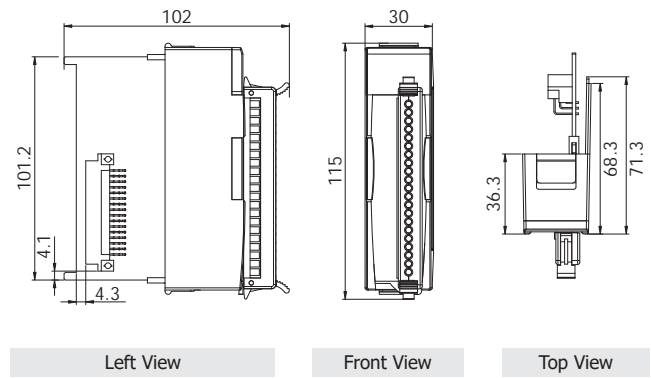
I/O Specifications

| Digital Output | |
|----------------------|---|
| Max. Load Current | 5.0 Arms |
| Relay Output | |
| Channels | 8 (Form A, Normal Open) |
| Type | Power Relay |
| Contact Rating | 5 A @ 250 VAC (47 ~ 63 Hz); 5 A @ 30 VDC |
| Operate Time | 6 ms Max. |
| Release Time | 3 ms Max. |
| Electrical Endurance | 100,000 Min. Resistive |
| Mechanical Endurance | 2 x 100,000,000 Min. |
| Surge Strength | 4000 V @ 1.2 x 50 μs |

Internal I/O Structure



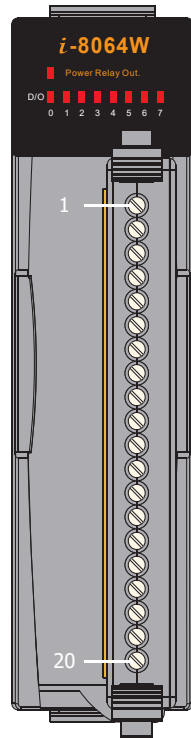
Dimensions (Units: mm)



Wire Connections

| Output Type | ON State Readback as 1 | OFF State Readback as 0 |
|---------------|---------------------------|----------------------------|
| | Relay ON | Relay OFF |
| Relay Contact | | |

Pin Assignments



| Terminal No. | Pin Assignment |
|--------------|----------------|
| 01 | NO0 |
| 02 | COM0 |
| 03 | NO1 |
| 04 | COM1 |
| 05 | - |
| 06 | NO2 |
| 07 | COM2 |
| 08 | NO3 |
| 09 | COM3 |
| 10 | - |
| 11 | NO4 |
| 12 | COM4 |
| 13 | NO5 |
| 14 | COM5 |
| 15 | - |
| 16 | NO6 |
| 17 | COM6 |
| 18 | NO7 |
| 19 | COM7 |
| 20 | - |

Ordering Information

| | |
|---------------------|---|
| I-8064W-G CR | 8-channel Power Relay Output Module (Gray Cover) (RoHS) |
|---------------------|---|