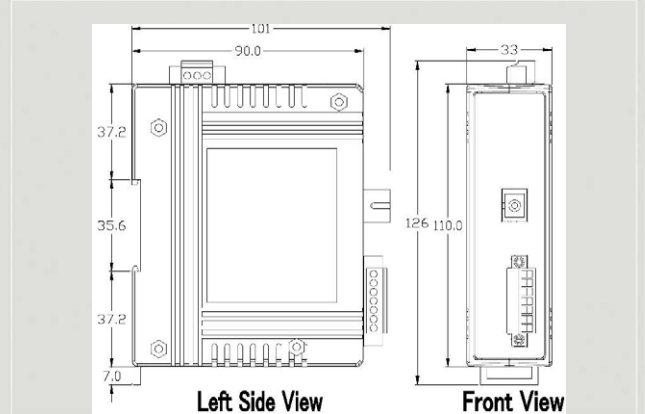




CAN to Single Mode Fiber Bridge



I-2533CS-A/I-2533CS-B



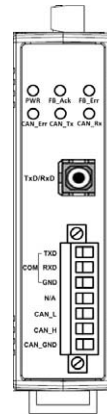
Dimensions

The I-2533CS-A and I-2533CS-B are local CAN bridges used to establish a connection between two CAN Bus systems via single mode fiber optic. It can unleash the transmission distance limitation of the fiber optic due to the higher CAN baud rate. Besides, the I-2533CS-A and I-2533CS-B support Wavelength Division Multiplexing (WDM) technology so that only a single fiber cable is needed for transmitting bi-directional CAN data. As the I-2533CS-A and I-2533CS-B must be paired because of hardware limitations, this means that the cost of deploying fiber cable can be effectively reduced.

Features

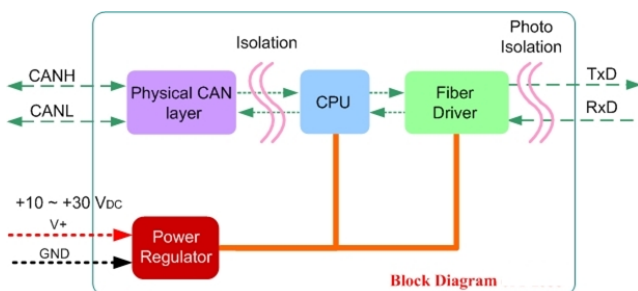
- Fiber Type: SC type ; Single mode ; 100 Base-FX
- Maximum transmission distance up to 15 km at any CAN baud rate
- TJA1042T CAN transceiver
- 2500 Vrms isolation on the CAN side
- Support both CAN 2.0A and CAN 2.0B specification
- Fully compatible with the ISO 11898-2 standard
- Built-in switch for 120 Ω terminator resistor
- Removable terminal block
- Mount easily on DIN-Rail
- Rotary switch for CAN baud rate configuration
- Allow user-defined baud rate
- Fiber broken line detection
- Utility tool for message filter configuration

Pin Assignments

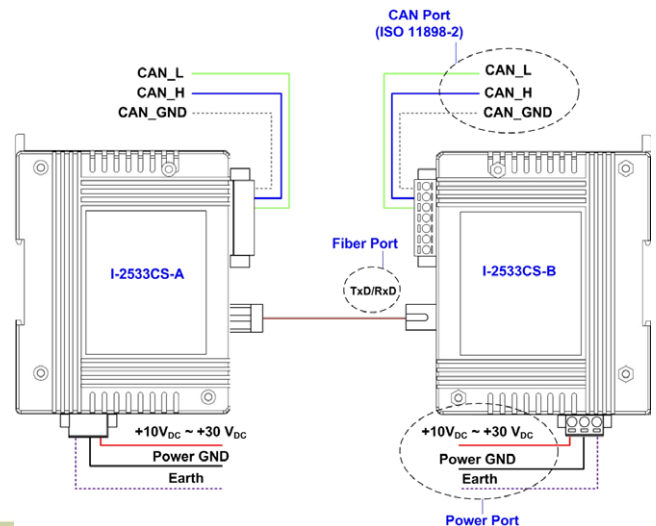


Pin. No.	Meaning
TxD/RxD	Fiber TxD/RxD port
COM TXD	TXD pin of RS-232 port for configuration
COM RXD	RXD pin of RS-232 port for configuration
COM GND	GND pin of RS-232 port for configuration
N/A	Non-available
CAN_L	CAN_L pin of CAN bus
CAN_H	CAN_H pin of CAN bus
CAN_GND	CAN_GND pin of CAN bus

Block Diagram



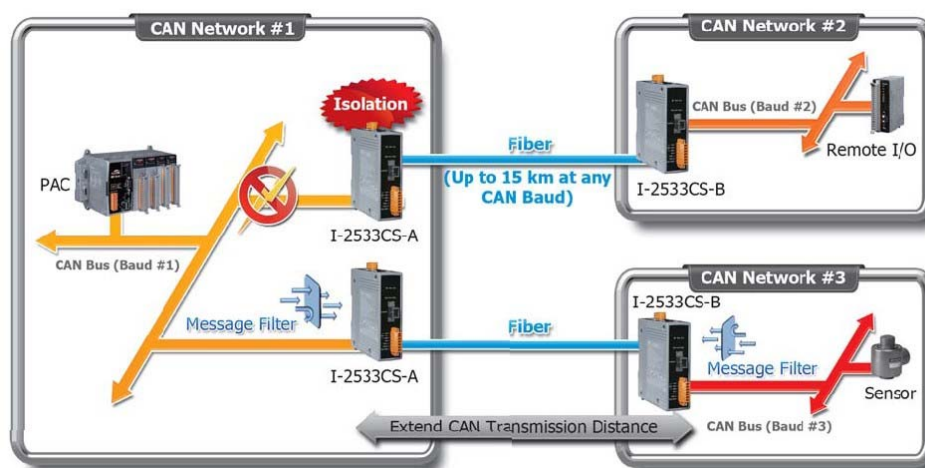
Wire Connection



Hardware Specifications

Module Name	I-2533CS-A	I-2533CS-B
CAN Interface		
Connector	Screwed terminal block (CAN_GND, CAN_L, CAN_H)	
Baud Rate (kbps)	10, 20, 50, 80, 100, 125, 250, 500, 800, 1000 and User-defined baud rate	
Terminator Resistor	Switch for 120Ω terminator resistor	
Isolation	3000 V _{DC} for DC-to-DC, 2500 V _{rms} for photo-couple	
Specification	ISO-11898-2, CAN 2.0A and CAN 2.0B	
Fiber Interface		
Type	SC type ; Single mode ; 100 Base-FX	
Wave Length (nm)	TX: 1310, RX: 1550	TX: 1550, RX: 1310
Fiber Cable (μm)	8.3/125, 8.7/125, 9/125 or 10/125	
Transmission Distance (km)	15 (indicative only), (9/125 μm recommended)	
Min. TX Output (dBm)	-8	
Max. TX Output (dBm)	-14	
Max. RX Sensitivity (dBm)	-31	
Max. RX Overload (dBm)	0	
Budget (dBm)	23	
LED		
Round LED	PWR, FB_Ack, FB_Err, CAN_Err, CAN_Tx and CAN_Rx LEDs	
Power		
Power supply	Unregulated +10 ~ +30 V _{DC}	
Protection	Power reverse polarity protection, Over-voltage brown-out protection	
Power Consumption	3 W	
Mechanism		
Installation	DIN-Rail	
Dimensions	33.0 mm x 126 mm x 101 mm (W x L x H)	
Environment		
Operating Temp.	-25 ~ 75 °C	
Storage Temp.	-30 ~ 80 °C	
Humidity	10 ~ 90% RH, non-condensing	

Application



Ordering Information

I-2533CS-A CR	CAN to Single Mode Fiber Bridge ; 1 (15 Km) single mode, SC connector, TX 1310 nm, RX 1550 nm (RoHS)
I-2533CS-B CR	CAN to Single Mode Fiber Bridge ; 1 (15 Km) single mode, SC connector, TX 1550 nm, RX 1310 nm (RoHS)